



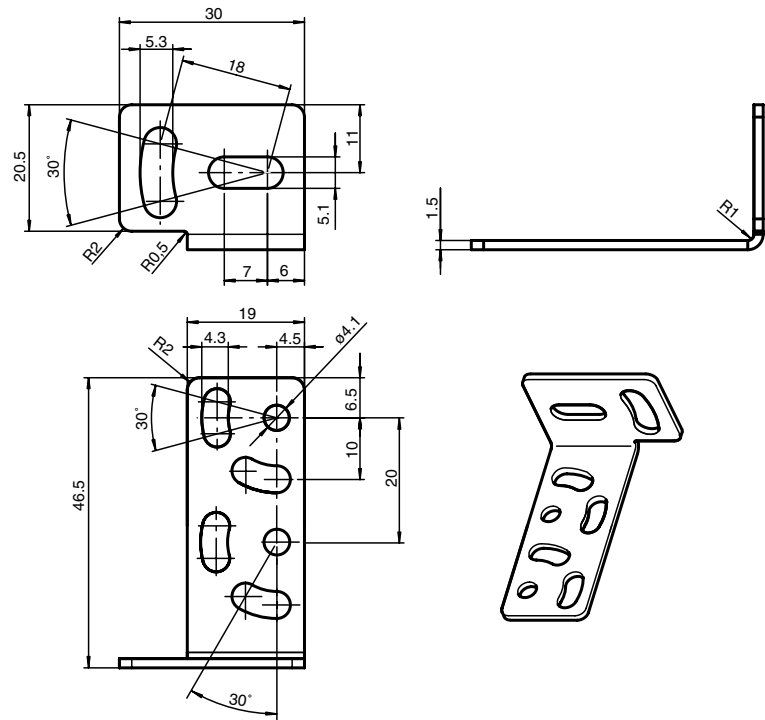
CE

**Model Number****OMH-MLV12-HWG**

Mounting bracket for series MLV12 sensors

**Features**

- Mounting bracket
- Simple and fast mounting

**Dimensions****Technical data****Mechanical specifications**

Material	nickel-plated steel
Mass	approx. 15 g

**Suitable series**

Series	MLV12
Safety Series	SL12, SLA12